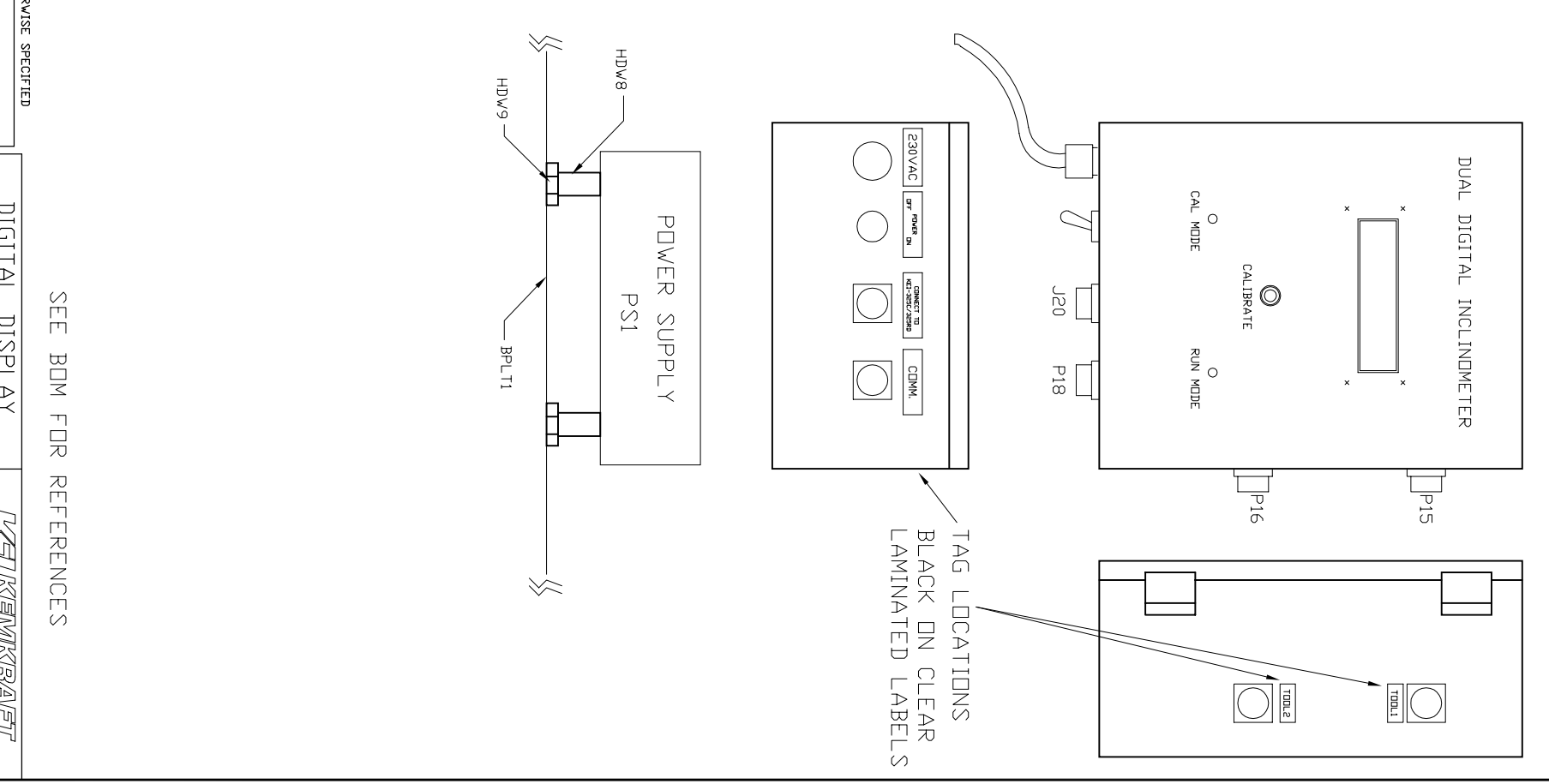
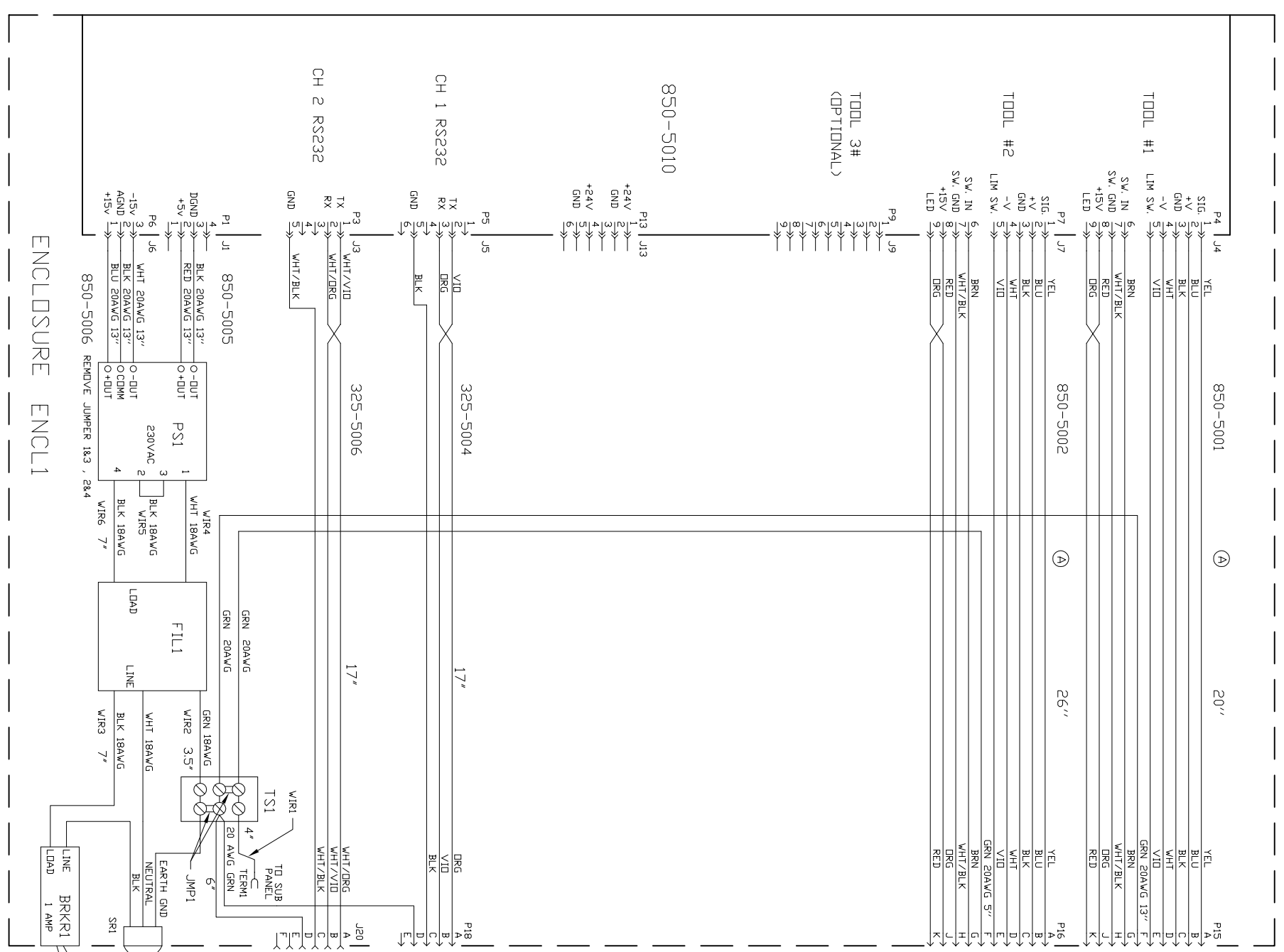
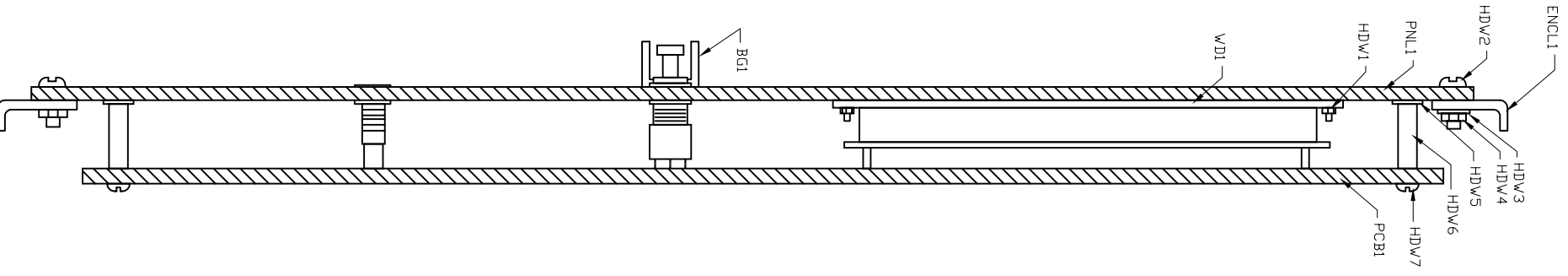


SY#	CHANGES	ECOM#	DATE	BY
A	TO MAKE WIRE ASSY COMMON W/850		11/20/00	BA



SEE BOM FOR REFERENCES

ALL WIRES 24AWG UNLESS OTHERWISE SPECIFIED

DIMENSIONAL TOLERANCES UNLESS OTHERWISE SPECIFIED

INCHES

2 PLACES ± .015

3 PLACES ± .005

4 PLACES ± .005

3rd ANGLE PROJECTION

DIGITAL DISPLAY

230VAC & DUAL RS-232 WIRING DIAGRAM

MODEL KEI-325C

KEI ENGINEERING, INC.

DRAWN BY: BA

CHECKED BY: JK

DATE: 10/27/00

DATE: 11/3/00

SCALE: NONE

SHT: 1